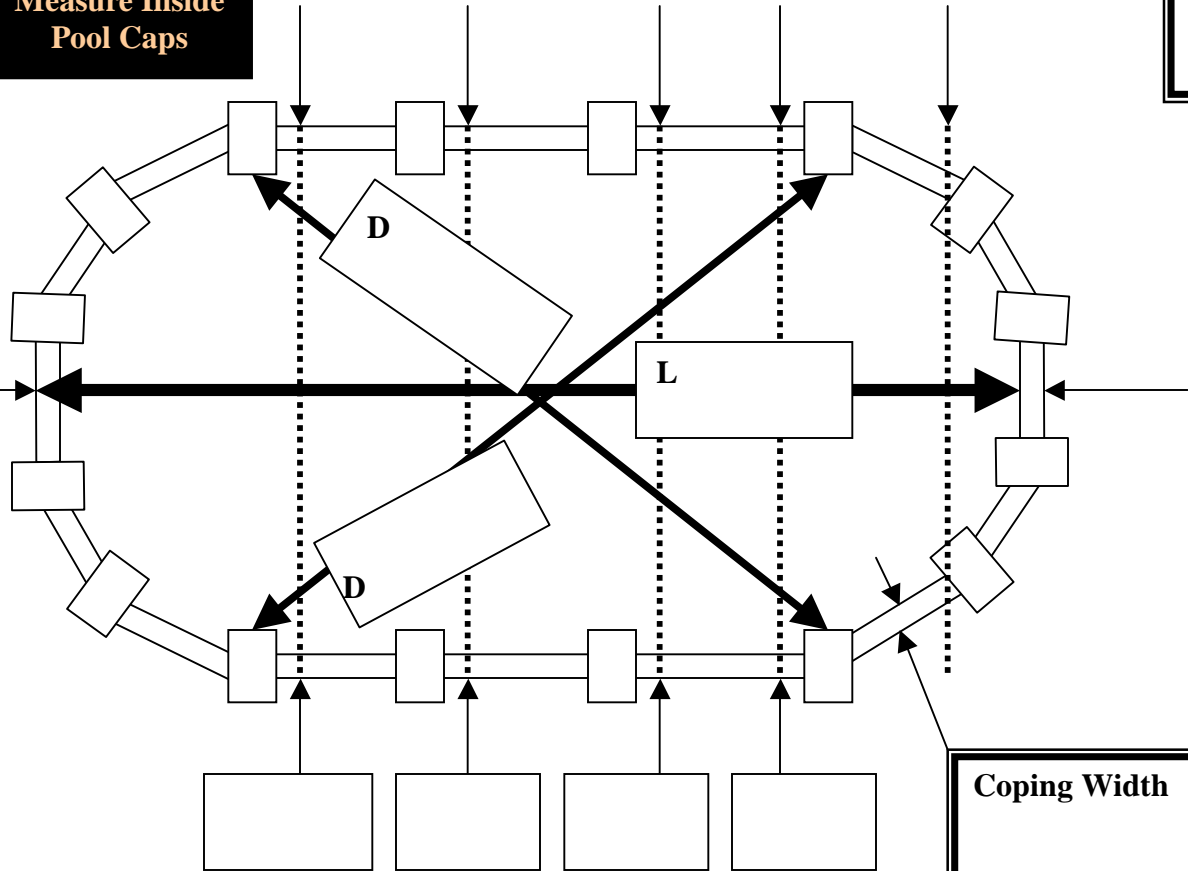


# MODEL 23 X 15 ABOVE GROUND

Make of Pool? \_\_\_\_\_  
model \_\_\_\_\_

- Attention:**
- Mark position of Skimmer Box (Sk)
  - Mark Position of Ladder (Lad)
  - Mark Decking Position if any.

**Diagonals  
Measure Inside  
Pool Caps**



Name \_\_\_\_\_

Address \_\_\_\_\_

Suburb \_\_\_\_\_

State \_\_\_\_\_

Ph. Home \_\_\_\_\_

Mobile \_\_\_\_\_

Email: \_\_\_\_\_

**Coping Width**

\_\_\_\_\_

**Pool widths & length measure to outside of Pool coping**

Pools with Decking or inground pools.  
Is pool decking or pool paving level with top of coping? Yes  No

**Solar Domes Australia**  
**Fax back to 0363434591**  
**Email: [craig@solardomes.com.au](mailto:craig@solardomes.com.au)**  
**Factory 0363435885**